



Product Features

The Tunbridge decorative pendant luminaire offers a variation on the traditional Sugg Rochester pendant lantern. Manufactured from a combination of aluminium spinnings the fitting is suitable for both traditional and contemporary applications. The luminaires have an IP rating of IP65. The Tunbridge is fitted with a Facet 7 optic and clear polycarbonate glazing as standard and is ideally scaled for 5m to 8m column applications for decorative and amenity lighting. This fitting is widely used and, with a variety of pendant brackets, can offer a performance solution as the unobstructed glazing improves the light output performance and lighting distribution.

Features

The Tunbridge luminaire has a steel easy fit pendant fitting. The glazing is released by three stainless steel, over centre, retaining couplings that when released hinge down to reveal the optic which is then available for relamping. The lantern is supplied as standard as a pendant luminaire and will cover a variety of mounting heights and lamp wattages. Upright versions of this luminaire are available, where the top can hinge open for access to the gear and lamp, see other literature for information.

Control Gear

The gear is housed in the main luminaire body on a gear tray above the gate. All gear is class I wired and a full range of discharge gear can be incorporated within the luminaires. Photocells are fitted into the luminaire body; single and two-piece cells are available as standard.



Environmental Street Furniture
Valley Business Centre
Church Rd
Newtownabbey
BT36 7LS

t: 0845 606 6095
e: sales@worldofesf.com
w: worldofesf.com

Options

Mounting Options

The Tunbridge fittings are designed to be pendant luminaires with an easy fit coupling to ease installation and ensure the correct orientation of the optic, to the road, is achieved without cable twist.

Variations

Photo cells

Single and two part electronic photocells are available as standard and should be factory fitted to maintain the ingress rating of the fitting.

Finish variations

The luminaire canopy is supplied Black Ral 9005. Other colours are available but may be subject to quantity, and prices may differ.

Luminaire construction

Aluminium spun top with easy fit coupling to ensure adjustment and security to the column bracket. Aluminium spinnings have recesses for sealing gaskets for the glazing.

Materials

Luminaire

Aluminium spinnings are joined providing additional strength to the luminaire, with a removable gear and optic tray.

Glazing

This unit is fitted with clear polycarbonate glazing, sealed by compression from the hinged brim and over centre catches.

Typical Specification

Tunbridge **Medium** IP65 pendant luminaire: fitted with an easy fit coupling for securing to the bracket with a termination for the incoming supply which is fitted to the inside of the spun top. The luminaire is fitted with clear **polycarbonate** glazing, and is finished in **Black RAL 9005**. It measures **700mm** in diameter and **640mm** in height. The fitting is supplied with gaskets and glands to ensure that the ingress rating is maintained; the luminaire is fitted with the **Facet 7** optics. Supplied with a **150w HPS T** gear package located within the luminaire and an **E40** lampholder positioned for a horizontal tubular clear lamp. Lamp not supplied.

Access to the lamp and gear is achieved by releasing the three over centre catches, this allows the glazing, optic and gear to hinge down for maintenance.

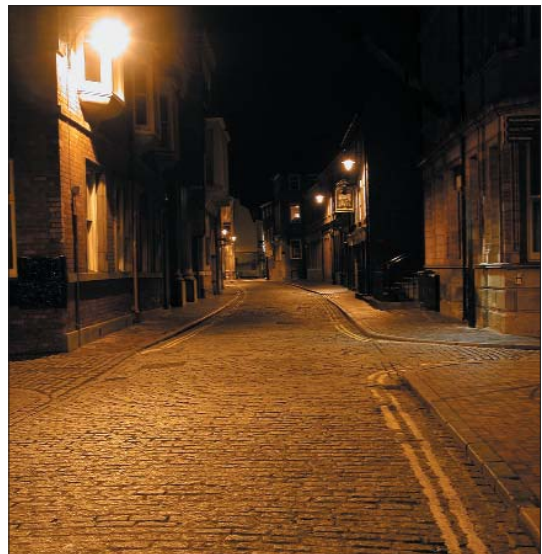
A **one-piece electronic** photocell is fitted to the top of the luminaire enclosure and is factory sealed to ensure the ingress protection of the fitting is not compromised. The luminaire is constructed from aluminium with all fixtures and fittings being galvanised or stainless steel.

Please note that items highlighted in bold can be changed using the options available.

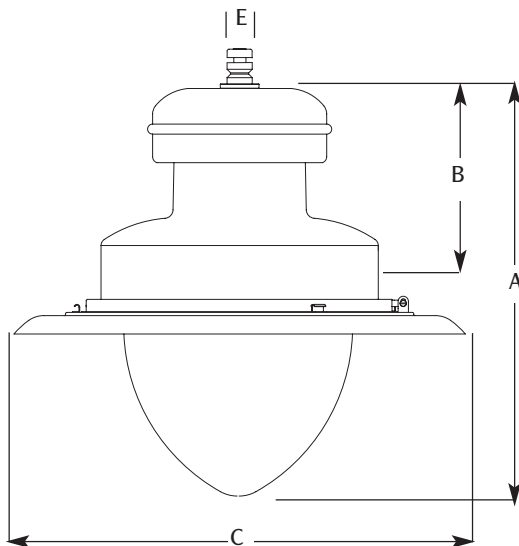
Applications

This picture shows a mixed pedestrian and vehicular application where the luminaires are fitted to the buildings to minimise the clutter in the street. The design criteria was met with the Sugg small twin beam optic and a 70w HPST lamp and gear. The optic has no upward light and excellent uniformity that gives this narrow street a safer feel for pedestrians and good silhouette vision for the drivers. The Tunbridge luminaire has three over centre catches which ease the contractor's entrance to the luminaire for maintenance, also the three catches ensure that a secure water proof seal is achieved to IP65 on the full circumference of the gasket area provided. The easy fit entry ensures that a secure fixing is achieved and that the optic can be oriented to maximize the design output.

The Sugg Lighting optics available for the Tunbridge ensure that a wide variety of applications can be met within the single body enclosure. Upright versions are available; please see additional data sheets for more information.



Options



WATTAGES & LAMP TYPES	35W	42W	50W	70W	80W	100W	125W	150W	250W
HPS			✓	✓		✓		✓	✓
HQI			✓	✓		✓		✓	✓
CDM	✓			✓		✓		✓	✓
MBF			✓		✓		✓		
CFL		✓							

OPTICS	MEDIUM
Facet Twin Beam	✓
Hellux Sm Twin Beam	✓
Refractor	✓
Cycle Optic <small>E27 L/holder only</small>	✓
E27 Lamp Holder only	✓
E40 Lamp Holder only	✓

Easy fit adaptor couplings are available for existing bracketry.

Bracket dimensions are required.

DIMENSIONS	MEDIUM	BOXED
A Lantern Height	640mm	710mm
B Lamp Height	319mm	710mm
C Diameter/Width	700mm	710mm
E Standard Entry	39mm	
Windage Area	0.23m ²	0.36m ³
Weight	7kg	11kg

GLAZING OPTIONS	MEDIUM
Acrylic	✓
Polycarbonate	✓
Opal Acrylic	✓
Glass Panels	✗
Flat Glass Only	✗