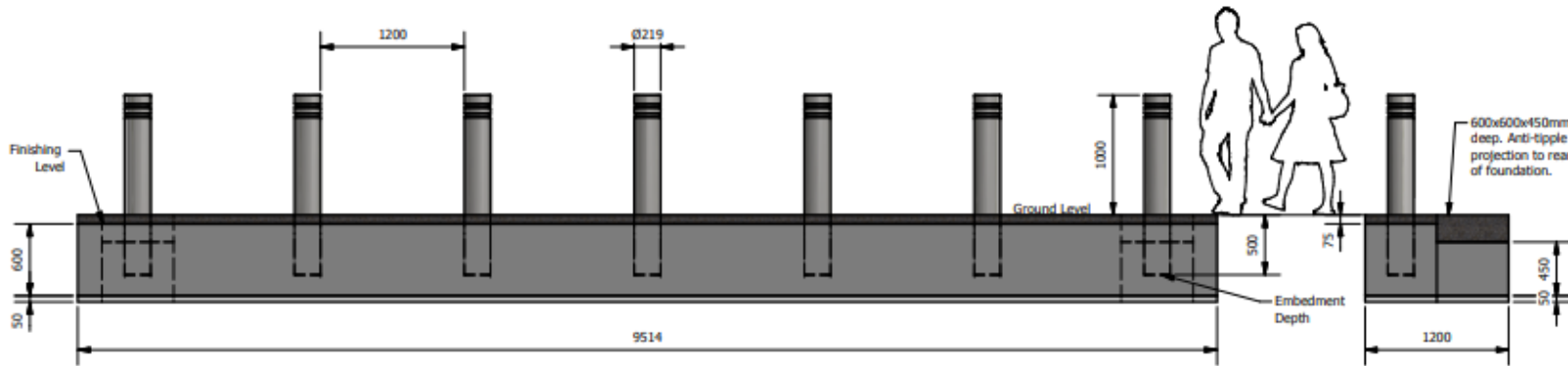
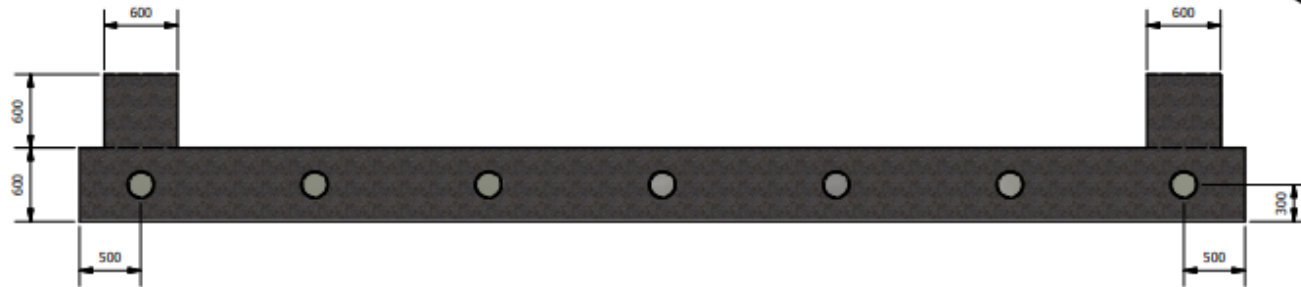
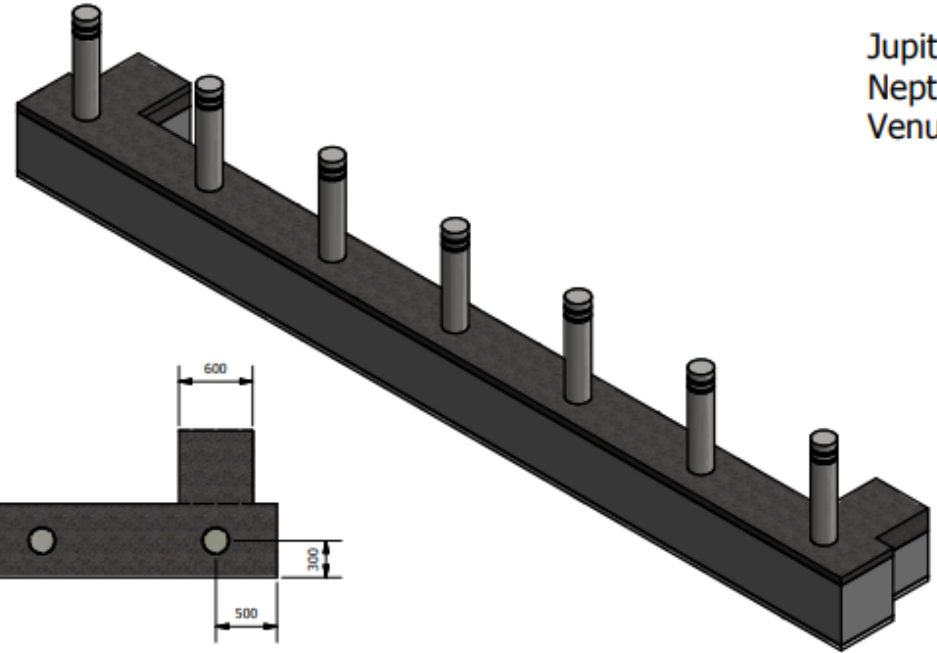


Planet Range

MARS

PAS 68 Impact Tested
7.5T @ 40mph

Also see:
Jupiter
Neptune
Venus



Environmental Street Furniture
Valley Business Centre
67 Church Road
Newtownabbey
Belfast, BT367LS

TITLE:
Terra MARS Bollard
Ø219 Bollard (7.5T @ 40mph)
Standard Foundation Detail

DRAWING NUMBER:
4566_000_201_A SALESv1

DRAWN: B.K. NOT TO SCALE DIMENSIONS IN MM

E sales@worldofesf.com
T UK +44 (0) 2890 364 101
US 1-888-601-6444 **worldofesf.com**