

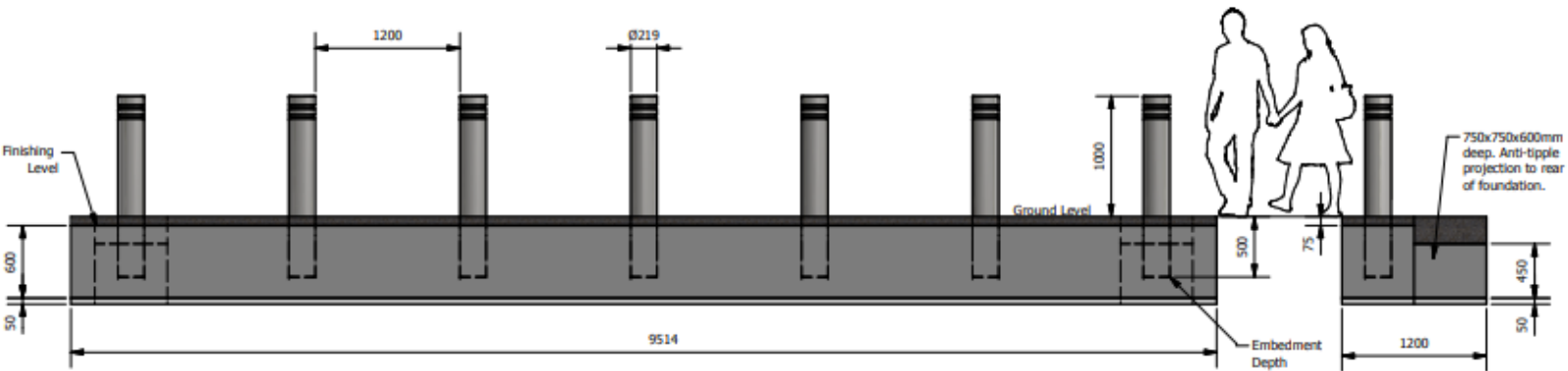
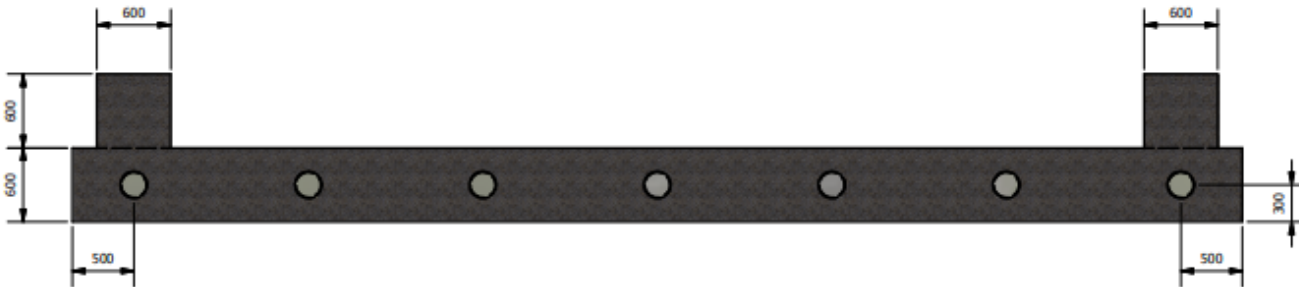
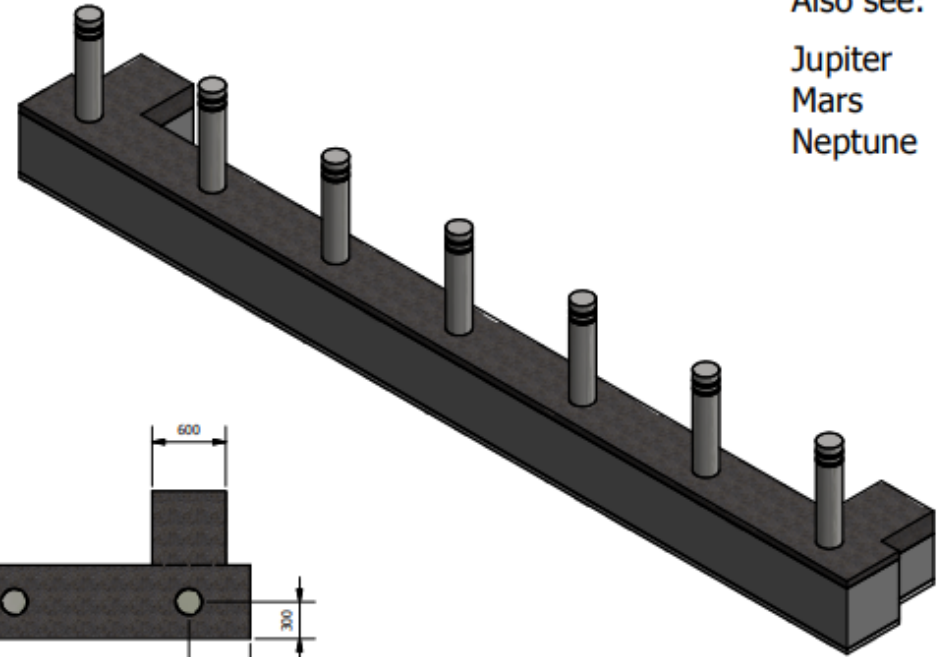
Planet Range

VENUS

PAS 68 Impact Tested
7.5T @ 30mph

Also see:

Jupiter
Mars
Neptune



Environmental Street Furniture
Valley Business Centre
67 Church Road
Newtownabbey
Belfast, BT367LS

TITLE: Terra VENUS Bollard
Ø219 Bollard (7.5T @ 30mph)
Standard Foundation Detail

DRAWING NUMBER: Venus Concept 01.03.16

E sales@worldofesf.com
T UK +44 (0) 2890 364 101
US 1-888-601-6444

worldofesf.com

DRAWN: B.K NOT TO SCALE DIMENSIONS IN MM