

Lakeside 'Anti Vandal' Seat

BX 2060-AV-BP

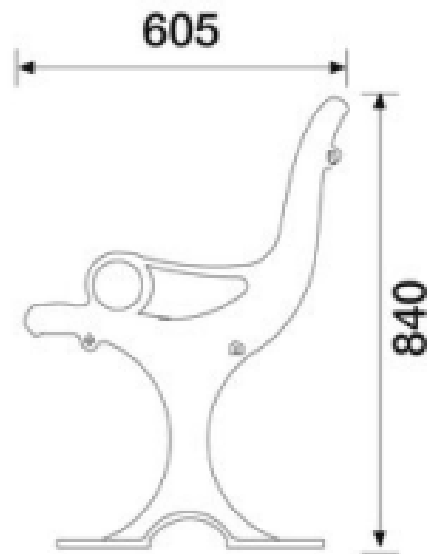
Robust Cast iron framed seat featuring mild steel slats.

Dimensions:

- Length: 1800mm
- Width: 605mm
- Height: 840mm
- Weight: 87kg

Highlighting and crests are available at an extra cost.
Supplied with galvanised steel slats.

Price per single anti-vandal steel slatted seat painted in a single standard Broxap colour only.



Environmental Street Furniture
Valley Business Centre
67 Church Road
Newtownabbey
Belfast, BT36 7LS

E sales@worldofesf.com
T UK +44 (0) 2890 364 101
US 1-888-601-6444

worldofesf.com