

# Seating Specification Sheet

Saltwell Seat  
**BX29 2130**



## Standard Unit Dimensions:

Length: 1800mm  
 Width: 440mm  
 Height: 750mm  
 Weight: 45kg

## Framework Colours/Finishes:

The colours shown are a guide only.  
 Please check a colour chart to see the actual colour.

## Product Information

A beautiful timber finish is the star feature of the Saltwell Seat, backed by the strength and durability of a galvanised steel frame. Angled for comfort and easy access, it will continue to deliver reliability and comfort season after season.

## Features

- Frame is galvanised to BS EN ISO 1461:2009
- Additional option to powder coat in an RAL or BS colour
- Treated softwood timber slats
- This unit is root fixed as standard

## Materials Used

- Galvanised steel
- Treated softwood timber slats

## Other Materials Available

- Hardwood Iroko timber slats

[worldofesf.com](http://worldofesf.com)

E [sales@worldofesf.com](mailto:sales@worldofesf.com)  
 T UK +44 (0) 2890 364 101  
 US 1-888-601-6444



**Environmental Street Furniture**  
 Valley Business Centre  
 67 Church Road  
 Newtownabbey  
 Belfast, BT36 7LS



Company No. NI 615794

VAT GB 153402248

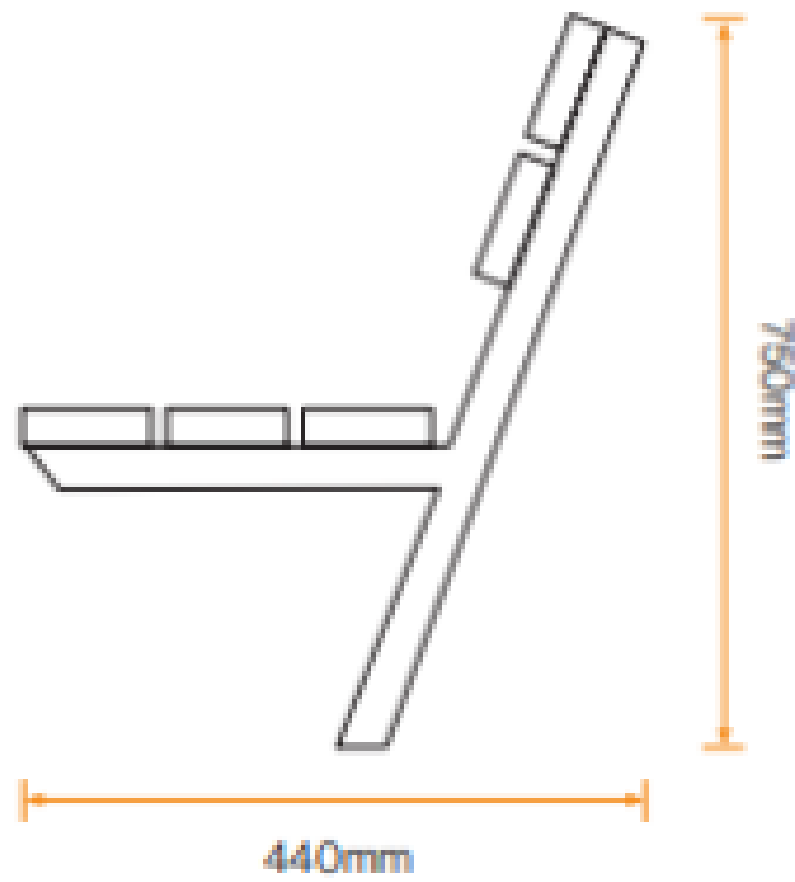
# Seating Specification Sheet

## Saltwell Seat BX29 2130

### Options

- A choice of fixings, frame finishes and colours available

### Diagram



#### Standard Unit Dimensions:

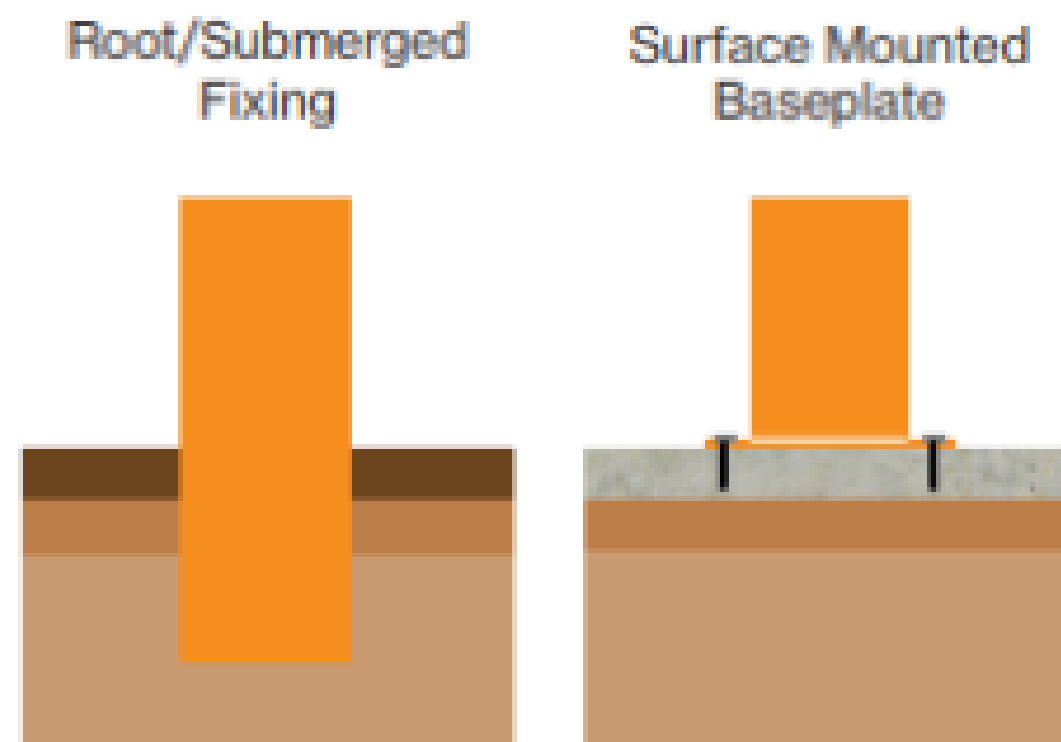
Length: 1800mm  
Width: 440mm  
Height: 750mm  
Weight: 45kg

#### Framework Colours/Finishes:

The colours shown are a guide only.  
Please check a colour chart to see the actual colour.

### Installation



[worldofesf.com](http://worldofesf.com)

E [sales@worldofesf.com](mailto:sales@worldofesf.com)  
T UK +44 (0) 2890 364 101  
US 1-888-601-6444



**Environmental Street Furniture**  
Valley Business Centre  
67 Church Road  
Newtownabbey  
Belfast, BT36 7LS

