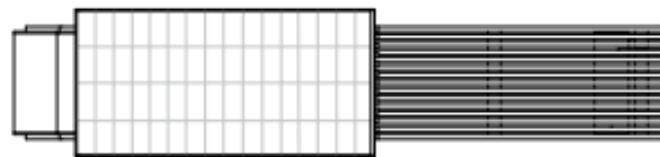
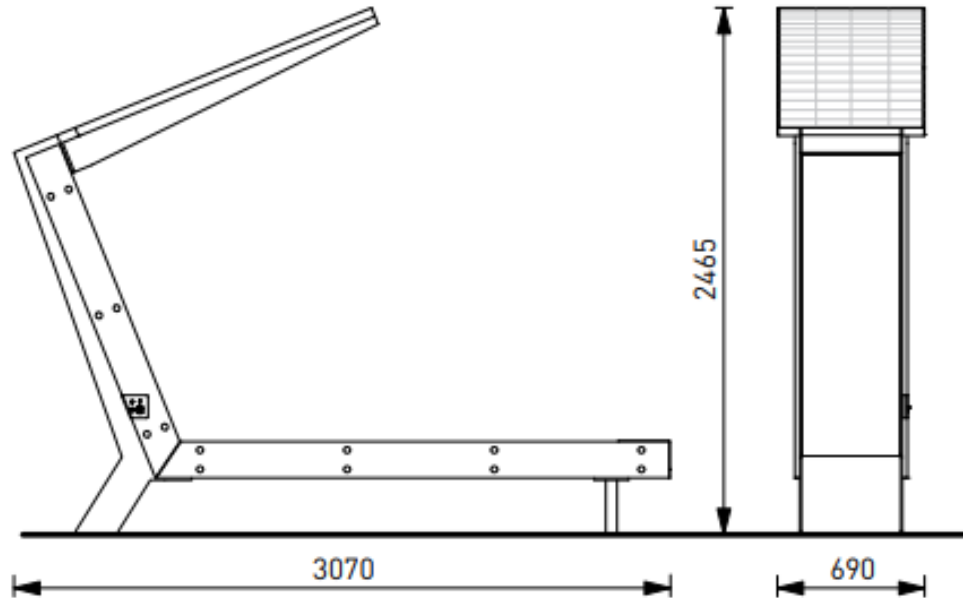
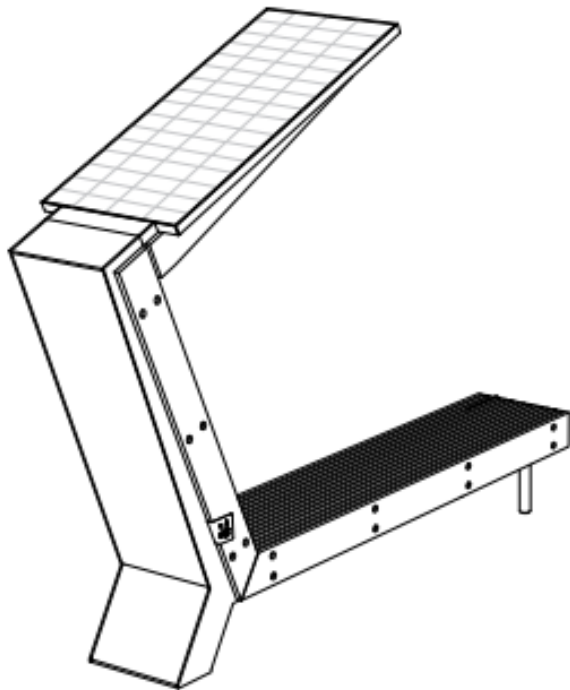


dimensions in mm

# WDS110 - WOODY SCORPIO

All rights reserved. Protection of industrial design.



mm  
cité 1



Environmental Street Furniture  
Valley Business Centre  
67 Church Road  
Newtownabbey  
Belfast, BT36 7LS

E sales@worldofesf.com  
T UK +44 (0) 2890 364 101  
US 1-888-601-6444

[worldofesf.com](http://worldofesf.com)

# WDS110 - WOODY SCORPIO



**Park bench 3,07 m long**

<b>Versions:</b>	WDS110t tropical wood
<b>Structure type:</b>	seat made of wooden boards connected to steel structure by means of stainless steel screw joints.
<b>Coating:</b>	steel structure is treated with protective zinc coating and powder coating.
<b>Supporting frame:</b>	welded structure of steel sheet and tubes of circular cross section.
<b>Seat:</b>	15 boards of rectangular cross section, 2400 mm long.
<b>Backrest:</b>	15 boards of rectangular cross section, 1620 mm long.
<b>Output of solar panels:</b>	175 Wp
<b>Battery capacity:</b>	80 Ah
<b>Low-capacity recharging:</b>	2 double USB connectors to charge devices.
<b>Colour options:</b>	natural colour of hardwood. For steel structure, shades of polyester powder coatings in the fine matt finish, standardly provided by mmcity. Other shades according to the RAL chart are available upon request.
<b>Anchoring:</b>	anchoring on the paving into concrete foundation by threaded rods. All street furniture elements must be properly anchored according to the producer's technical instructions. The manufacturer declines responsibility for any damages caused by careless use or by non-compliance with the instructions.
<b>Weight:</b>	444 kg
<b>Option:</b>	Internet connection: LTE + Wifi with time-switch.
<b>Declared properties:</b>	Execution class - EXC2 (CC2 / PC2 / SC1) according to ČSN EN 1090-2+A1:2011 Snow load - Surface load= 1,5kN/m <sup>2</sup> (150kg/m <sup>2</sup> ) according to ČSN EN 1991-1-3 Wind load – Guaranteed wind resistance up to speed of 25m/s (90km/h) according to ČSN EN 1991-1-4



Environmental Street Furniture  
Valley Business Centre  
67 Church Road  
Newtownabbey  
Belfast, BT36 7LS

E sales@worldofesf.com  
T UK +44 (0) 2890 364 101  
US 1-888-601-6444



[worldofesf.com](http://worldofesf.com)